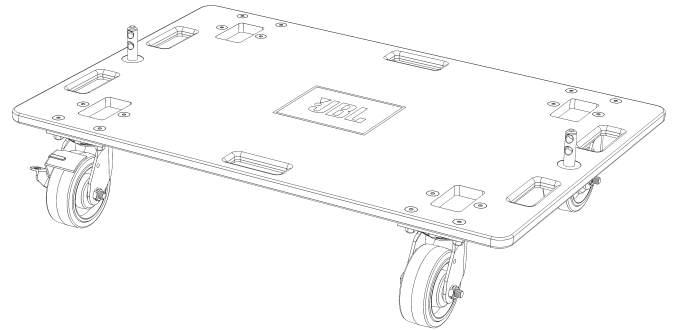


VTX-S25-VT Vertical Transporter

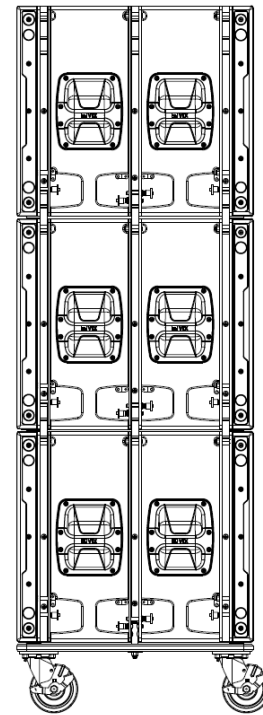
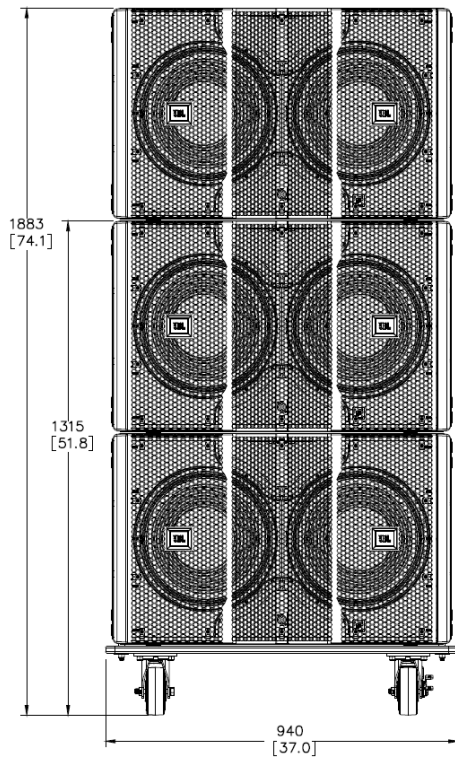
Features:

- Can transport 2x or 3x S25 enclosures
- Heavy duty locking casters
- Stackable
- Dimensioned for efficient truck pack



Description:

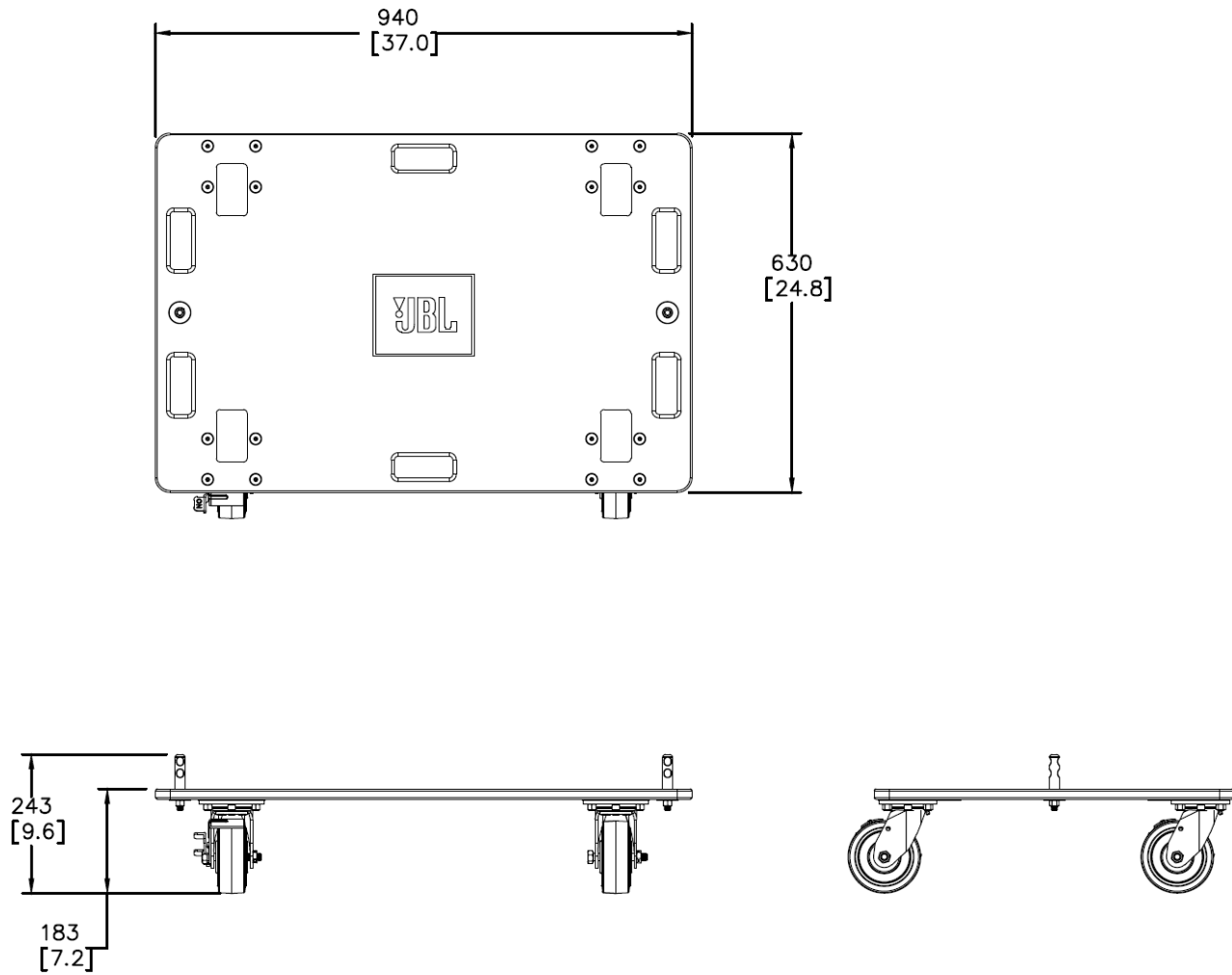
VTX S25 Vertical Transporter for transportation of up to three VTX S25 enclosures in a vertical column in either front-firing or cardioid mode. Includes: dolley board with four tour grade casters (2 locking casters per dolley board). Reinforced protective covers (VTX-S25-VT-CVR or VTX-S25-VT-CVRW) supplied separately.



Included:

- 1 x VTX-V20-VT

Dimensions:



Specifications:

Material	Board: Exterior grade birch plywood Hardware: Stainless Steel / Zinc Plated Steel
Weight (Total)	17 Kg (38 lbs)
Finish	Black Matte Paint